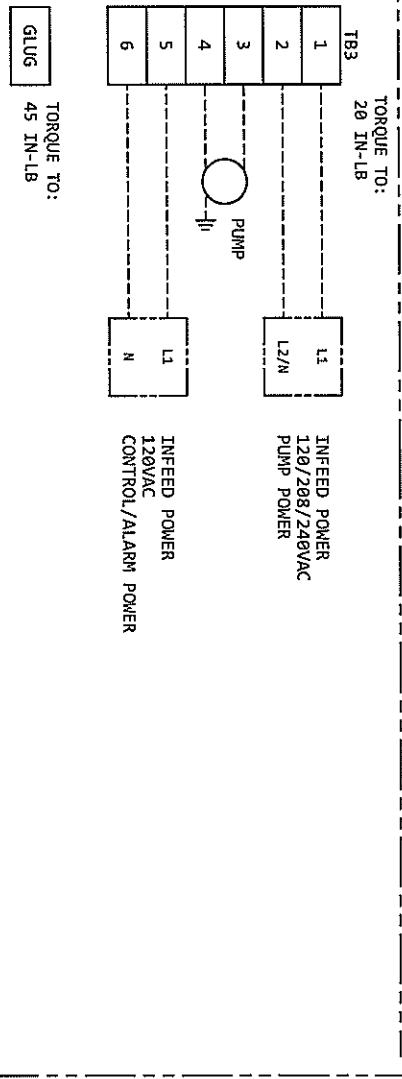
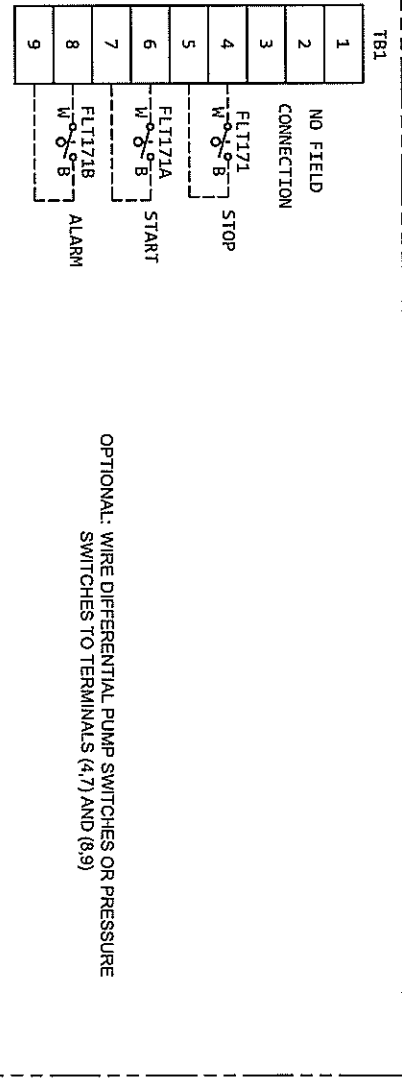
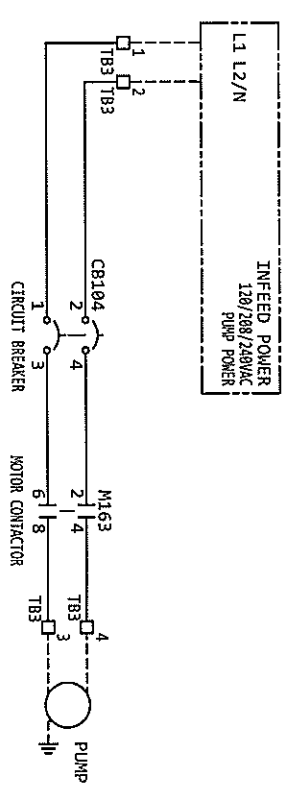
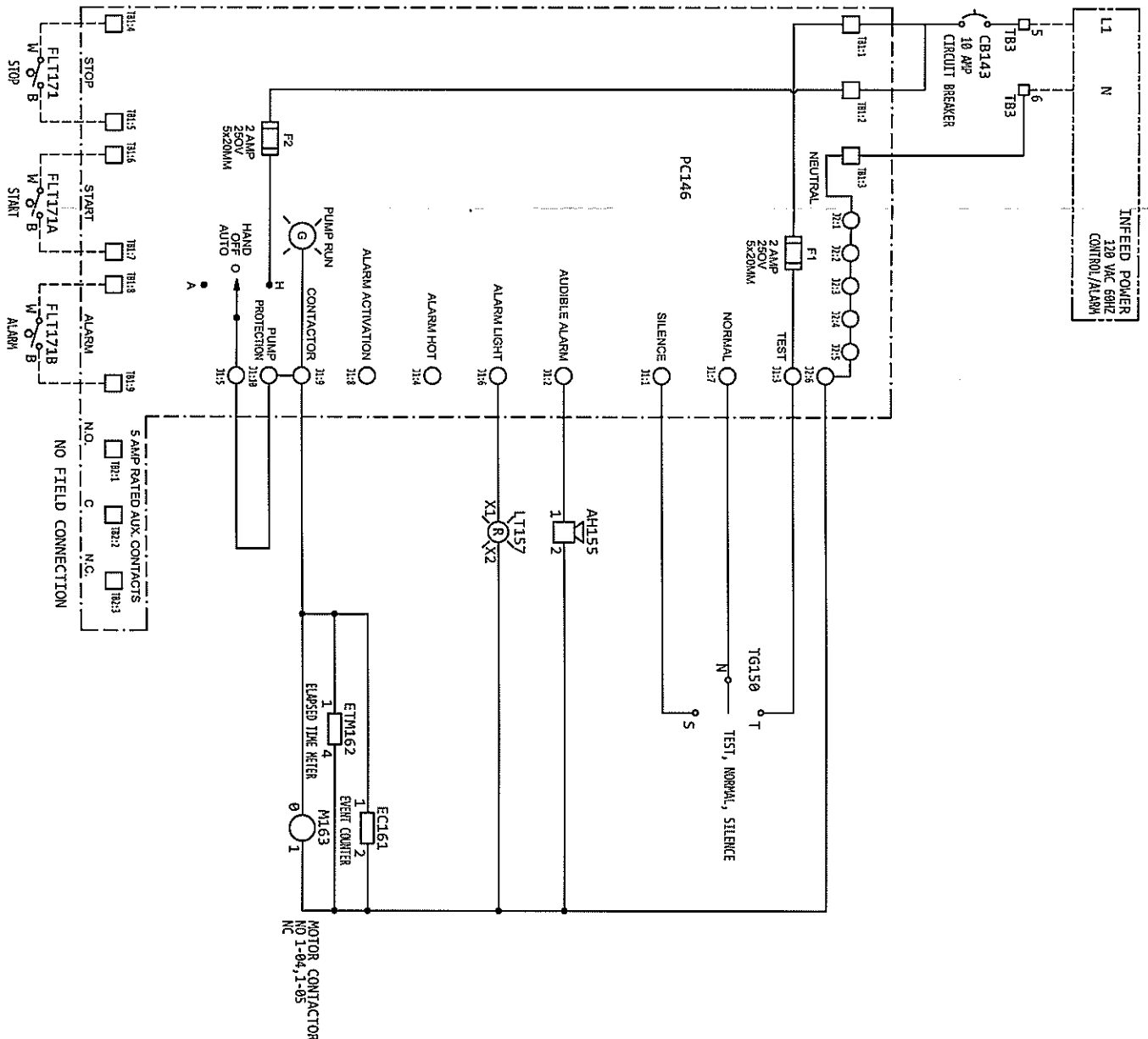


- 1-00
- 1-01
- 1-02
- 1-03
- 1-04
- 1-05
- 1-06
- 1-07
- 1-08
- 1-09
- 1-10
- 1-11
- 1-12
- 1-13
- 1-14
- 1-15
- 1-16
- 1-17
- 1-18
- 1-19
- 1-20
- 1-21
- 1-22
- 1-23
- 1-24
- 1-25
- 1-26
- 1-27
- 1-28
- 1-29
- 1-30
- 1-31
- 1-32
- 1-33
- 1-34
- 1-35
- 1-36
- 1-37
- 1-38
- 1-39



- NOTES:
1. FIELD WIRING IS SHOWN
 2. TEMPERATURE RATING OF FIELD INSTALLED CONDUCTORS MUST BE AT LEAST 140° F. (60° C.).
 3. FIELD WIRING WILL ACCEPT COPPER CONDUCTORS ONLY.
 4. CONNECT GROUND LUG IN PANEL TO A SECURE EARTH GROUND.
 5. THE USE OF SEPARATE POWER SOURCES FOR PUMP AND ALARM ARE RECOMMENDED.
 6. OVERLOAD PROTECTION, MAIN DISCONNECT AND OVER CURRENT PROTECTION OF INCOMING FEEDER CIRCUIT PROVIDED BY OTHERS AND MUST BE SIZED ACCORDING TO THE PUMP/MOTOR MANUFACTURER SPECIFICATIONS.

- 1-40
- 1-41
- 1-42
- 1-43
- 1-44
- 1-45
- 1-46
- 1-47
- 1-48
- 1-49
- 1-50
- 1-51
- 1-52
- 1-53
- 1-54
- 1-55
- 1-56
- 1-57
- 1-58
- 1-59
- 1-60
- 1-61
- 1-62
- 1-63
- 1-64
- 1-65
- 1-66
- 1-67
- 1-68
- 1-69
- 1-70
- 1-71
- 1-72
- 1-73
- 1-74
- 1-75
- 1-76
- 1-77
- 1-78
- 1-79



THIS DRAWING CONTAINS PROPRIETARY INFORMATION WHICH MUST NOT BE DUPLICATED, USED, OR DISCLOSED IN WHOLE OR IN PART WITHOUT PRIOR WRITTEN CONSENT.

NO.	REVISION HISTORY	DATE	BY	DATE	APPR
A	CO 8996	6/8/17	JJ	6/8/17	ACB

REV CNTR FOR: 1054929

WWW.SJERHOMBUS.COM

DRAWN BY: JJ
DATE: 6/8/17

APPROVED BY: ACB
DATE: 6/8/17

PROJECT NUMBER: 1054929

SHEET NUMBER: 1 OF 1

REV: A

I/S DESCRIPTION: LIT, RH, SCHEM 112 COLORADO PANEL

CONFIDENTIAL - PROPERTY OF SJERHOMBUS